



**FLATMESH
RETRACTABLE
FLYSCREEN**

Flatmesh Retaratable Flyscreen

Flatmesh Retaratable Flyscreen aim to provide top quality insect screens at affordable prices. An insect screen system that keeps insects out without compromising the interior. Whether in the home or office, it is inevitable dust will build up on normal insect screens. With Flatmesh Retaratable Flyscreen you are assured of aesthetically pleasing interior while also preventing dust build up when it is neatly stored away.

Retractable flyscreens add another dimension to your home. They are stylish, versatile and offer practical solution to conventional flyscreens.

Flatmesh Retaratable Flyscreen offer solutions for all types of windows and doors. Sliding, Double Hung, Louvre, casement, awning windows, or Bi-Fold doors all fit perfectly to Flatmesh Retaratable Flyscreen .

Why Choose A Flatmesh Retaratable Flyscreen

- Lower energy cost using cross ventilation
- Does not spoil the interior or exterior of the home as screens hide away when not in use
- Blends in with your existing décor
- Screens suit any type of window or door
- Easy operation
- Low maintenance longer lasting than conventional screens
- Value for money.



Flatmesh Retaratable Flyscreen INSECT SCREEN

Some unique & exclusive features of Flatmesh Retaratable Flyscreen separate our product from our competitors.



Sewn PVC film



Gear-Decelerator



Oil-Decelerator



Push Button

Product features

STYLISH DESIGN ATTRACTIVE, WIND RESISTANT

Four sides of the mesh have been sewn with PVC film and the insides of this film run along the tracks. Thus the mesh will not derail from track even in strong winds.

All parts are made from non-corrosive materials so the product can be installed to building exteriors without any problems.

The product has been installed with an oil-decelerator and a gear-decelerator to prevent the handle from hitting the cassette when rewinding. Also the tension in spring can be easily adjusted by turning the screw attached to cassette

EASY TO OPERATE AND VERSATILE

You can easily lock the screen by pressing the “Push” button. The product boasts a simple and neat design, which allows you to adjust the screen and stop it from rolling at any point.

It is designed to fit almost any openings including internal reveals and faces and external surfaces of windows.

QUICK AND EASY INSTALLATION

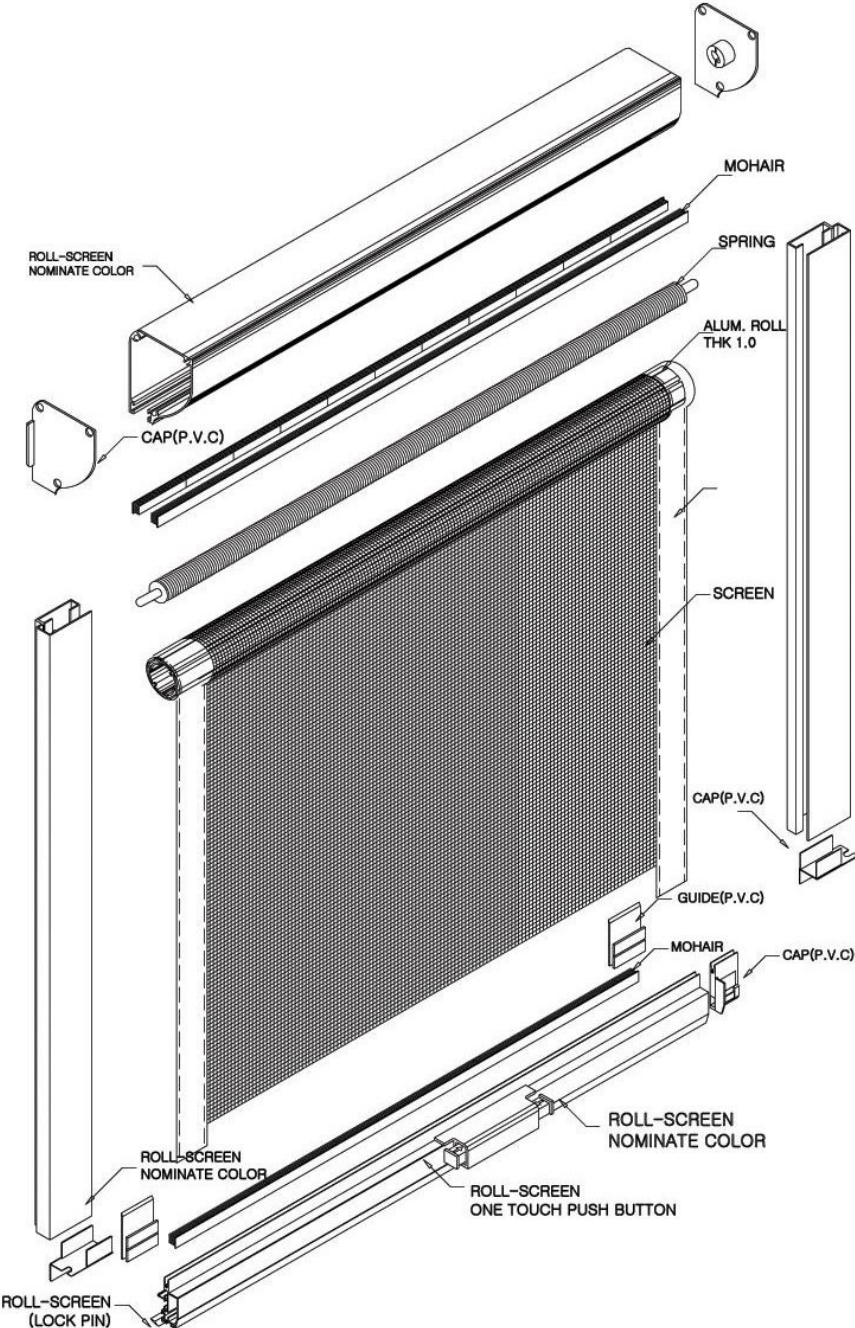
Every product is equipped with double-sided tape for a quick and easy installation. It allows you to check whether the product has been correctly set up before installing it with screws.



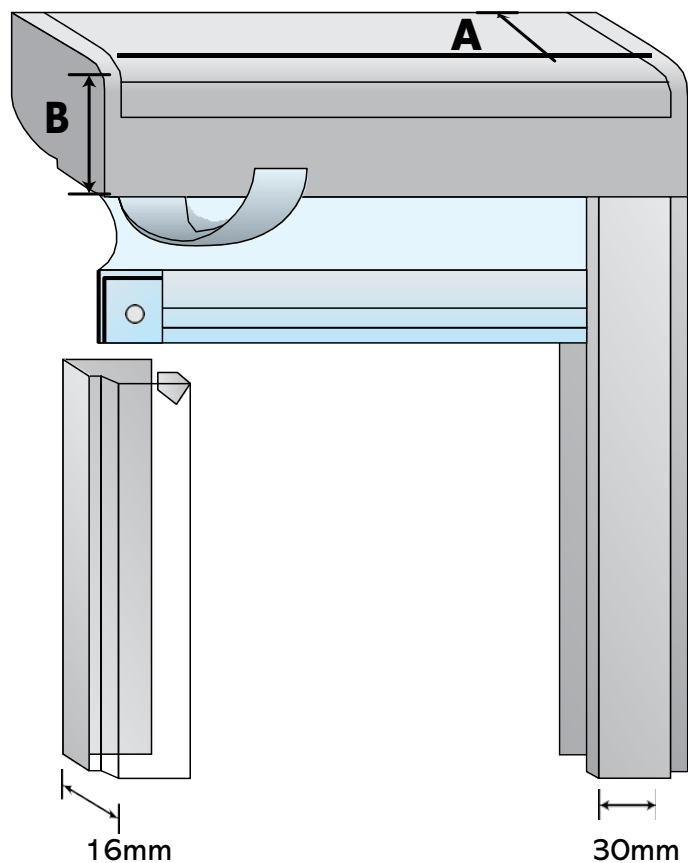
ROLL-SCREEN ELEVATION

Flatmesh Retaratable Flyscreen

High grade aluminium
Non-corrosive materials.
Anodised or powdercoated.
Quick and easy installation.



EXTRUSION COMPONENTS



COMPOSITION OF Flatmesh Retractable Flyscreen

Flatmesh Retractable Flyscreen is classified into Cassette (Housing) and Rail (Tracks). The screen is stored inside of the cassette and is made to operate by sliding on rails.

Cassette Dimensions

Cassette	A	B
Extra Small	37	45
Small	40	48
Medium	45	50
Large	53	60
Extra Large	63	68
Rail Dimension	16	30

Cassette sizes against length of screen

Extra Small (45mm)	up to 650mm
Small (48mm)	up to 1000mm
Medium (50mm)	up to 1300mm
Large (60mm)	up to 2150mm
Extra Large (68mm)	up to 3000mm

HANDLE FUNCTION

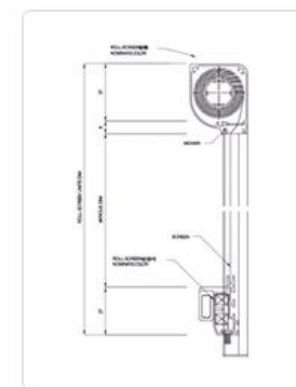
Flatmesh Retaratable Flyscreen feature the unique 'Touch Button' system. The only touch system in Australia.

POWER BUTTON

Buttons are designed at both sides of left and right corner of a latch can open from inside and outside locking and unlocking are available.

Power Button Dimensions

Width : 11mm / Height : 20mm

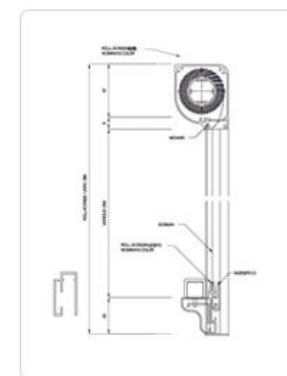


PJ BUTTON

Buttons are designed at both sides of left and right corner of a latch. Open from inside only. Locking and unlocking are available. Recommended for awning windows

Power Button Dimensions

Width : 11mm / Height : 20mm



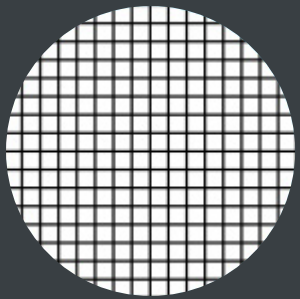
FLYSCREEN MESH FUNCTION

Flatmesh Retaratable Flyscreen flywires are fiberglass mesh and is specially derived from New York Wires (USA).

The material is non-corrosive and is classified as general screens or fines screens “dayfly screens”.

3 Styles of Mesh are available with Flatmesh Retaratable Flyscreen . Standard Black Mesh, Grey Mesh, and Black “Striped Mesh”.

These styles of Screens mesh is available for consumer’s choice.



BLACK FLY WIRE

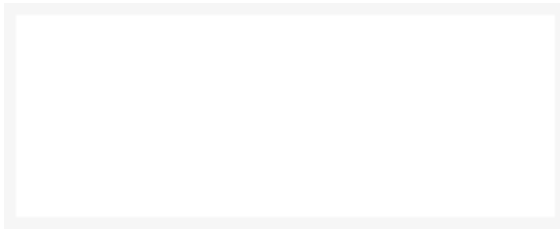
Cassette Height 100mm – 2200mm

Maximum Single Width 3400mm

Cassette Height 2300mm or Over

Maximum Single Width 2200mm

STANDARD COLOURS



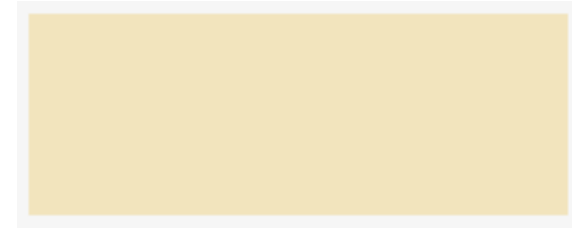
WHITE



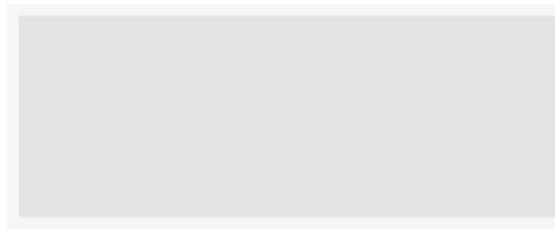
WHITE BIRCH



BLACK



PRIM ROSE



CLEAR ANODISE

COMMERCIAL WORK

Commercial Work carried out successfully with great feed back

CONSTITUTION HILL



PARRAMATTA



KOGARAH



ROSEVILLE



HUNTERS HILL

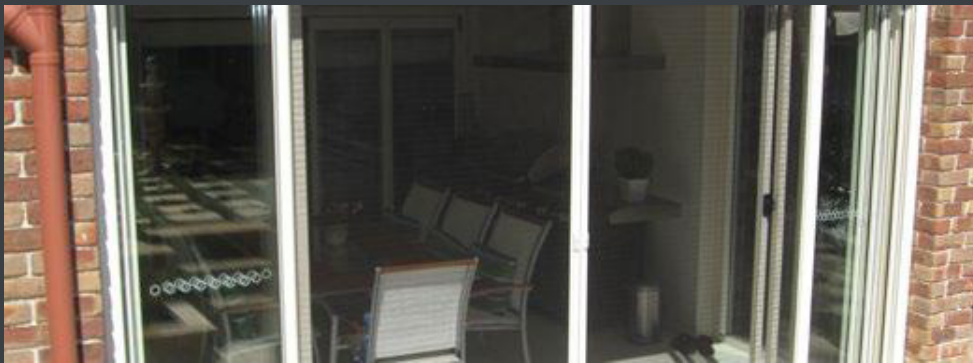
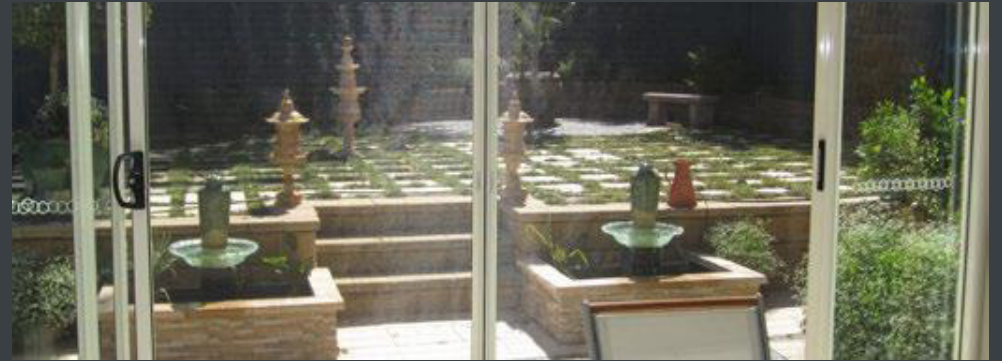


PHOTO GALLERY

AWNING WINDOWS



SLIDING DOORS



SERVERY WINDOWS



FRENCH DOORS



BI-FOLD DOORS



FRONT-DOORS



Others



WARRANTY

Terms and Conditions

All products manufactured by Daesang(DS) Flatmesh Retaratable Flyscreen Australia Pty Ltd are to be originally free from defects in parts and workmanship, which may impair or degrade the overall product performance. The products are provided with a seven-year conditional warranty on parts excluding the screen mesh and a 12 month warranty on labour.

Products included in the warranty service include all screen products manufactured by DS Flatmesh Retaratable Flyscreen Australia Pty Ltd. DS Flatmesh Retaratable Flyscreen products produced outside of Australia cannot be claimed under the warranty service of DS Flatmesh Retaratable Flyscreen Australia Pty Ltd. Products with damage caused by misuse or accidents also cannot be claimed under this or any other warranty.

DS Flatmesh Retaratable Flyscreen Australia Pty Ltd assumes no liability under the warranty terms for defects that result from :

- Improper operation and mishandling of products
- Un-Authorized repair or modification
- Use of replacement material that are not authorized by DS Flatmesh Retaratable Flyscreen Australia Pty Ltd
- Accidental or intentional damage
- Natural Disaster

Warranty is limited to the replacement of the parts and materials, excluding mesh. If a product is deemed defective within the time-frame of the warranty term, all parts will be replaced free of charge upon request. Labour cost is included for the first year of purchase and installation and thereafter will be charged.

For the warranty to be in effect, all products must be originally installed and commissioned by an authorized Flatmesh Retaratable Flyscreen dealer or distributor. All actions in regards to warranty, including but not limited to replacement of parts and labour is to be carried out by an authorized Flatmesh Retaratable Flyscreen representative. Liability for any damages, including but not limited to consequential and economic loss directly or indirectly connected to our products, as well as breach of any express or implied warranties, including but not limited to implied warranties or merchantability, quality and fitness for any other purpose than as expressly stated herein, is disclaimed and excluded here from to the extent such disclaimer and exclusions are permitted by law.